



TMS

TI TOWN MAGNETIC DRIVE SEALLESS PUMPS

TMS SERIES



TI TOWN TECHNOLOGY CO., LTD.

Web : www.titown.net

E-MALL : titown.pump@msa.hinet.net pump@titown.net



TMS MAGNET SEALLESS CHEMICAL PUMPS

Introduction:



Features:

1. Special sealless design, high efficiency, complete liquid leakage free.
2. Mold by engineering plastic to increase mechanical strength. Superior corrosion resistance and long life.
3. Standard pump shaft/ liner rings are 99.5% ceramic. Optional S- SIC are available for critical service applications.
4. Unique design, simple assemble and easy maintenance.

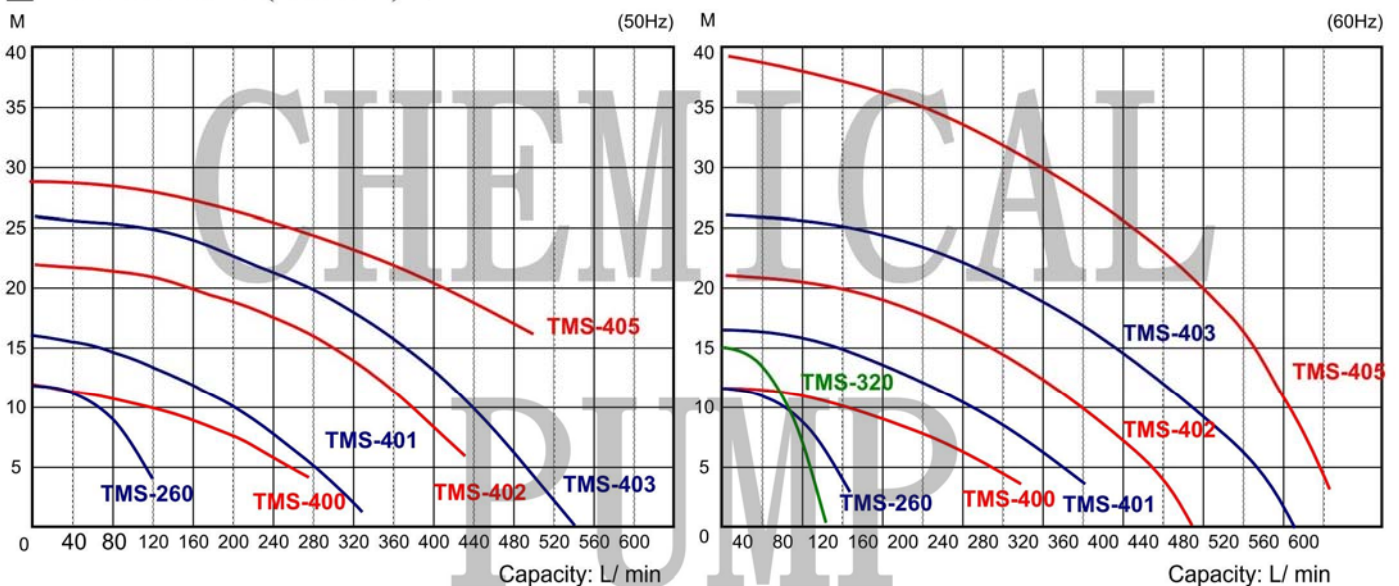
Application:

1. For circulation and transfer of chemical liquids plating filter
2. For circulation of chiller and sea- water
3. For chemical industries waste water
4. For circulation of aquarium water
5. Limit of specific gravity TMS: 1.2. very compass condition as guest zhi melt specification fabrication.

SPECIFICATION (50/60Hz) :

Type	Connection In/ Outlet HOSE (screw)	Voltage	Drive motor (KW)	Pole	Max. Flow (L/ min)		Max. Head (M)		Weight (KG)
					50HZ	60HZ	50HZ	60HZ	
TMS- 260	26mm (PF1")× 26mm (PF1")	110/220V× one? or 220/380, 440V× 3?	0.26	2	120	125	12.2	12.2	9
TMS- 320	26mm (PF1")× 26mm (PF1")	110/220V× one? or 220/380, 440V× 3?	0.32	2	-	110	-	15	9
TMS- 400	40A× 40A	110/220V× one? or 220/380, 440V× 3?	0.40	2	280	300	12	12	14
TMS- 401	40A× 40A	220/380/440V× 3?	0.75	2	330	360	16	16.8	19
TMS- 402	50A× 40A	220/380/440V× 3?	1.50	2	425	470	22.9	21.2	38
TMS- 403	50A× 40A	220/380/440V× 3?	2.20	2	545	575	26.2	26	40
TMS- 405	50A× 40A	220/380/440V× 3?	3.70	2	500	615	28.2	38.8	50

PERFORMANCE (50/60Hz) :



TMS — $\frac{401}{(1)}$ $\frac{V}{(2)}$ $\frac{F}{(3)}$ $\frac{C}{(4)}$ $\frac{S}{(5)}$ $\frac{6}{(6)}$ $\frac{XXX}{(7)}$

(one) TYPE:

- 260 - 0.26KW
- 320 - 0.32KW
- 400 - 0.4KW
- 401 - 0.75KW
- 402 - 1.5KW
- 403 - 2.2KW
- 405 - 3.7KW

(2) ORING:

- V - FKM (VITON)
- E - EPDM

(3) MATERIAL (MAX °C)

- F - GFRPP (80°C)
- P - CFRPP (80°C)
- K - PVDF (90°C)

(4) IMPELLER BEARING

- C - CARBON GRAPHITE
- R - RULON

(5) CONNECTION:

- S = SCREW
- H = HOSE
- F = FLANGE WITH OVAL HOLES

(6) PUMP FREQUENCY

- 5 = 50HZ
- 6 = 60HZ

(7) RESERVE FOR

- CUSTOMIZATION

Application :

1. For circulation and transfer of chemical liquids
2. For circulation of chiller and sea-water
3. For chemical industries waste water
4. For circulation of aquarium water
5. Limit of specific gravity 1.2. Adjustable customization for specific gravity above 1.2

TMS - 200 . 260 & 320

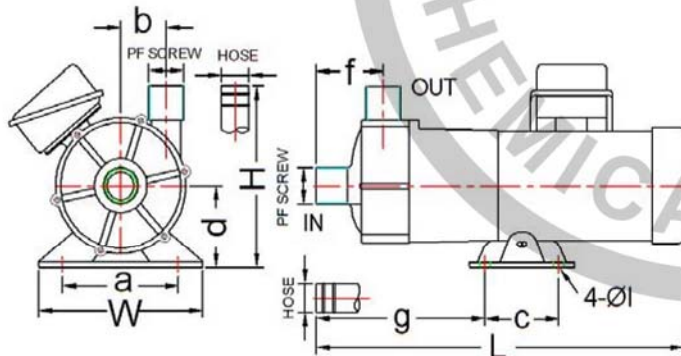


Fig. 1

TMS 400 & 401

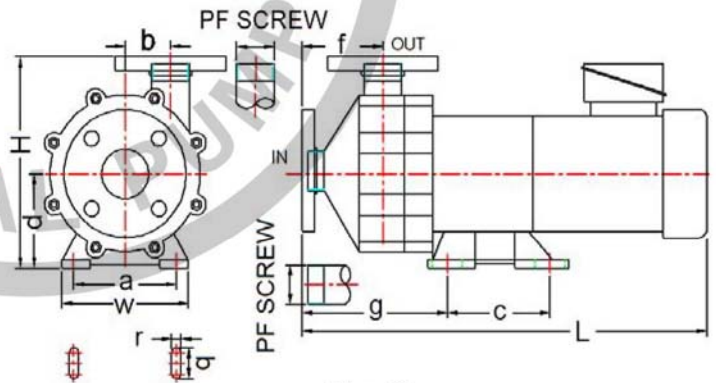


Fig. 2

TMS 402 . 403 & 405

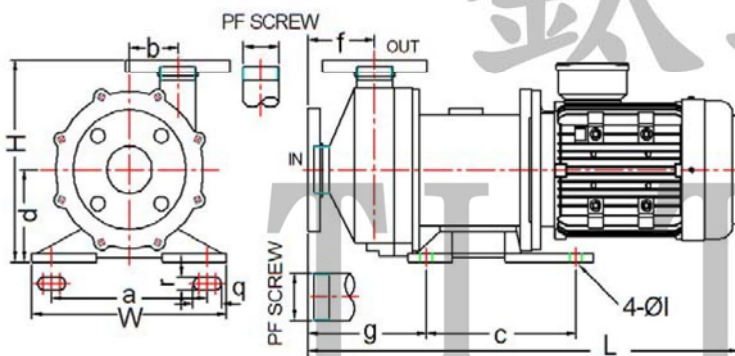
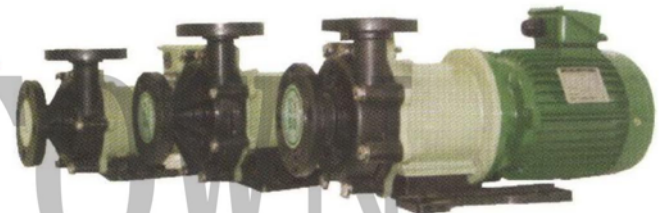


Fig. 3



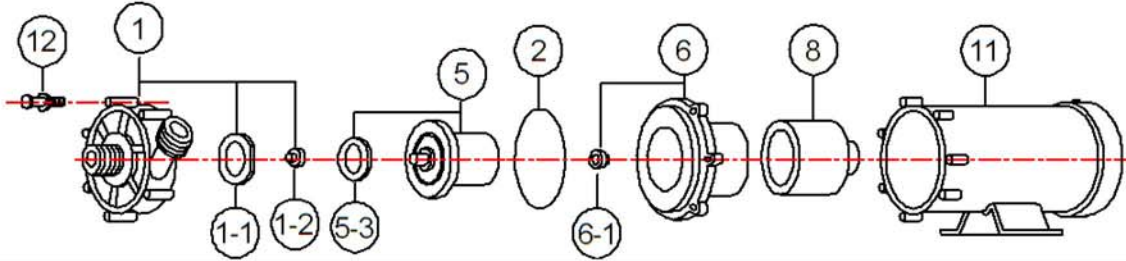
Dimension

TYPE	Fig. NO.	IN	OUT	W	H	L*	a	b	c	d	f	g	i	q	r
TMS-200	1	26	26	156	165	330	110	43.5	70	75	64	161	Ø10	-	-
TMS-260		26	26	156	165	340	110	43.5	70	75	64	161	Ø10	-	-
TMS-320		26	26	156	165	340	110	43.5	70	75	64	161	Ø10	-	-
TMS-400	2	40	40	140	216	392	110	50	100	95	87	150	-	38	12
TMS-401		40	40	160	255	512	130	57.5	130	115	102.5	184	-	38	12
TMS-402	3	50	40	260	255	600	208	65	200	115	89	158	-	38	16
TMS-403		50	40	260	255	600	208	65	200	115	89	158	-	38	16
TMS-405		50	40	260	255	630	208	65	200	115	89	158	-	38	16

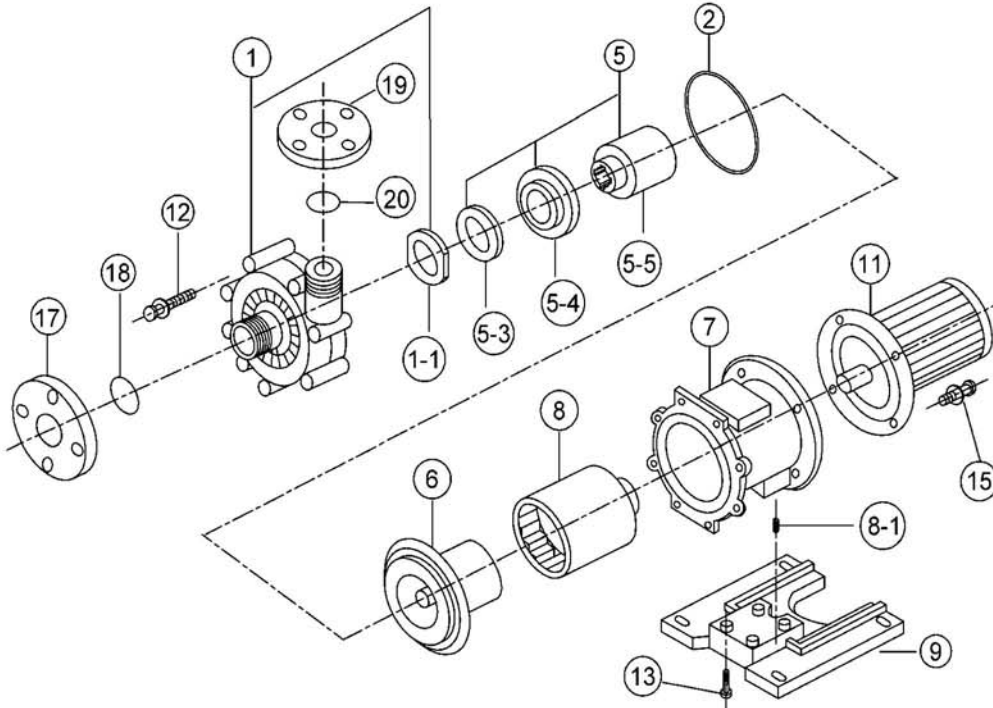
* : The pump overall length "L", there have distinguish according to different motor trademark

■ Exploded view and parts list :

For TMS-200 to TMS-320



NO	Parts Name	NO	Parts Name
1	Front Casing Assembly	8	Drive Magnet
1-1	Liner Ring	8-1	Set screw
1-2	Shaft Bearing	9	Base
2	Casing O-ring	11	Motor
5	Impeller Assembly	12	Casing Bolts
5-3	Mouth Ring	13	Base Bolts
5-4	Impeller cap	15	Motor Mounting Bolts
5-5	Driven Magnet	17	Inlet Flange
6	Back Casing Assembly	18	Inlet Flange Oring
6-1	Shaft Bearing	19	Outlet Flange
7	Bracket	20	Outlet Flange Oring



For TMS-400 to TMS-405

TI TOWN TECHNOLOGY CO., LTD.

NO.332.Sec.2.Chung I Road, Kwei Shan Hsiang, Taoyuan, Taiwan

TEL : 886-3-318-2825 FAX : 886-3-318-2890

Web site : www.titown.net

E-mail : titown.pump@msa.hinet.net pump@titown.net

