

自吸磁力式無軸封泵浦

SELF - PRIMING MAGNET SEALLESS PUMPS



Ti

Ti Town Chemical Pumps

■ 特性：

MT型磁力式自吸無軸封幫浦，是一具有獨特自吸構造之化學幫浦並完全有自動再吸能力，而接液部材質是採用PP及PVDF一體成型其耐蝕性及耐溫性都在水準之上，使用範圍亦相當廣泛。MT型其內部獨特之設計原理及構造，致使MT型具有下列特長及優點是一般傳統磁力式幫浦無法達到的。

1. 自吸能力：MT型具有100%自吸能力並可省去灌水及裝底弁及吸不上來的困擾。

而一般磁力式幫浦則無此自吸能力。

MT180 ~ 280	1 M
MT400 ~ 2200	1.5 M

2. 吐出揚程：MT型的葉輪是採用獨特密合式，及後蓋外套金屬補強，所以跟一般磁力式幫浦以相同馬力相比較，其實際吐出揚程較一般磁力式幫浦高出20~25%。

例如MT型 1.5KW × 60HZ 最高揚程可達29M (2.9kg/cm²)

3. 耐溫性：MT型加強成型肉厚，後蓋外套金屬補強，因此提升了MT型耐溫範圍

而一般磁力式幫浦則是無法達到的。

PP	0 °C ~ 90 °C
PVDF	-20 °C ~ 90 °C

4. 耐磨性：MT型葉輪軸受及軸心的材質都是採用高密度陶瓷，因此增強其耐磨性。

5. 軸封：MT型是採用磁力式帶動無軸封設計，不會有漏液的困擾

■ Features :

MT type magnetic self-priming chemical sealless pumps own special self-priming construction which can re-self-prime auto-matically.

The material of in contacted with liquid is PP & PVDF which own excellent corrosion & temperature resistance and use widely.

1. Self-priming power : 100% self-priming power, it is not necessary to blow water into pumps and assemble base valve and there is no suck up-wards trouble.

MT180 ~ 280	1 M
MT400 ~ 2200	1.5 M

2. Head of outlet : Impeller is special closed & there is metal sleeve of back casing.

Although h.p. is same with general type, the head of outlet same with general type, the head of outlet is higher than it about 20~25%

for example : MT model 1.5KW × 60HZ, the heighest head can be reach 29M (2.9KG/cm²).

3. Temperature resistance : As the plastic body is thicker than general and there is metal sleeve general and there is metal sleeve of back casing. So, it own excellent temperature resistance.

PP	0 °C ~ 90 °C
PVDF	-20 °C ~ 90 °C

4. Friction resistance : Bearing & shaft of impeller adopted precise ceramic material which own good friction resistance.

5. Seal : It's magnetic driven sealless design, there is no leakage.

■ 應用範圍：① 電鍍過濾機，電鍍液體之過濾循環輸送。

② 各種強酸、強鹼、溶劑輸送循環。

③ 電解工廠，化學工廠，水處理業，食品工廠等各種化學液體輸送循環

■ Application : ① Plating filter, circulation and transferring of plating liquid

② Circulation of acid/alkali liquid

③ Electrolysis workroom, chemical industries, wastewater treatment, food industries

例： For example	MT-180 型式 MODEL	— P	幫浦材質： MATERIAL	P-PP K-PVDF
-------------------	-----------------------	-----	-------------------	----------------

MT 型 (MT TYPE)

50/60HZ

型式 MODEL	最大流量 MAX. CAP. L/MIN	公升/分	最高揚程 MAX. HEAD M	米	馬力 POWER	口徑 DIA.	重量 WEIGHT
MT-180	70 / 80		10 / 12		0.18 KW	25Ø × 25Ø	4.5 KGS
MT-250	80 / 120		12 / 14		0.25 KW	25Ø × 25Ø	5 KGS
MT-400	120 / 140		14 / 16		0.4 KW	40A × 40A	25 KGS
MT-1100	160 / 200		19 / 21		0.75 KW	40A × 40A	30 KGS
MT-1400	220 / 360		20 / 24		1.1 KW	40A × 40A	36 KGS
MT-2200	350 / 420		21 / 29		1.5 KW	50A × 40A	40 KGS

● 自吸能力 (SELF PRIMING POWER) :

MT180 ~ 280	1 M
MT400 ~ 2200	1.5 M

● 耐溫度範圍 (OPERATING TEMPERATURE) :

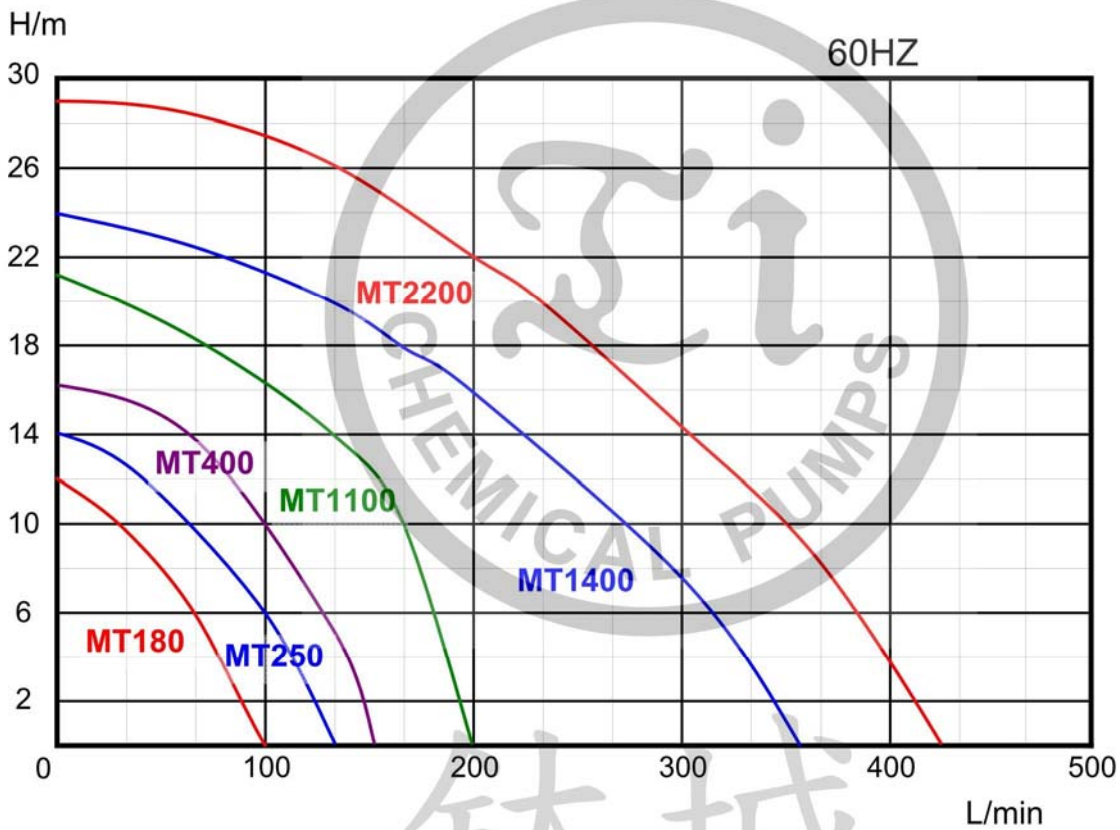
PP	0 °C ~ 90 °C
PVDF	-20 °C ~ 90 °C

● 適用比重 (SP. GR.) : 1.3 適用黏度 (VISCOSITY) : 30CP

材質表 (MATERIAL TABLE OF PARTS)

NO.	零件名 (NAME)	材質 (MATERIAL)
1	CASING 前蓋	PP · PVDF
2	BACK CASING 後蓋	PP · PVDF
3	IMPELLER 葉輪	PP · PVDF
4	DIFFUSION PART 護蓋	PP · PVDF
5	SHAFT 軸心	CERAMIC · TEFLON
6	BEARING 軸受	CERAMIC · TEFLON
7	O-RING 封環	FKM(VITON), EPDM
8	FRONT FLANGE 接合座	PP
9	MOTOR 馬達	FC

曲線表 PERFORMANCE CURVE 60HZ

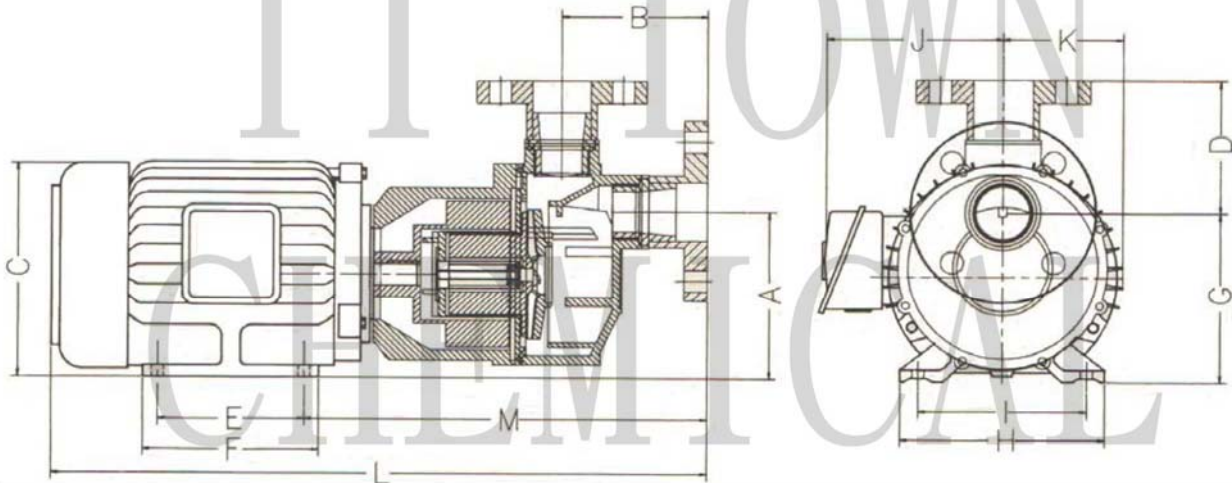


※性能曲線係使用水在常溫下測試，本公司保有變更設計之權利，不另通知。

It tested with water under normal temperature.

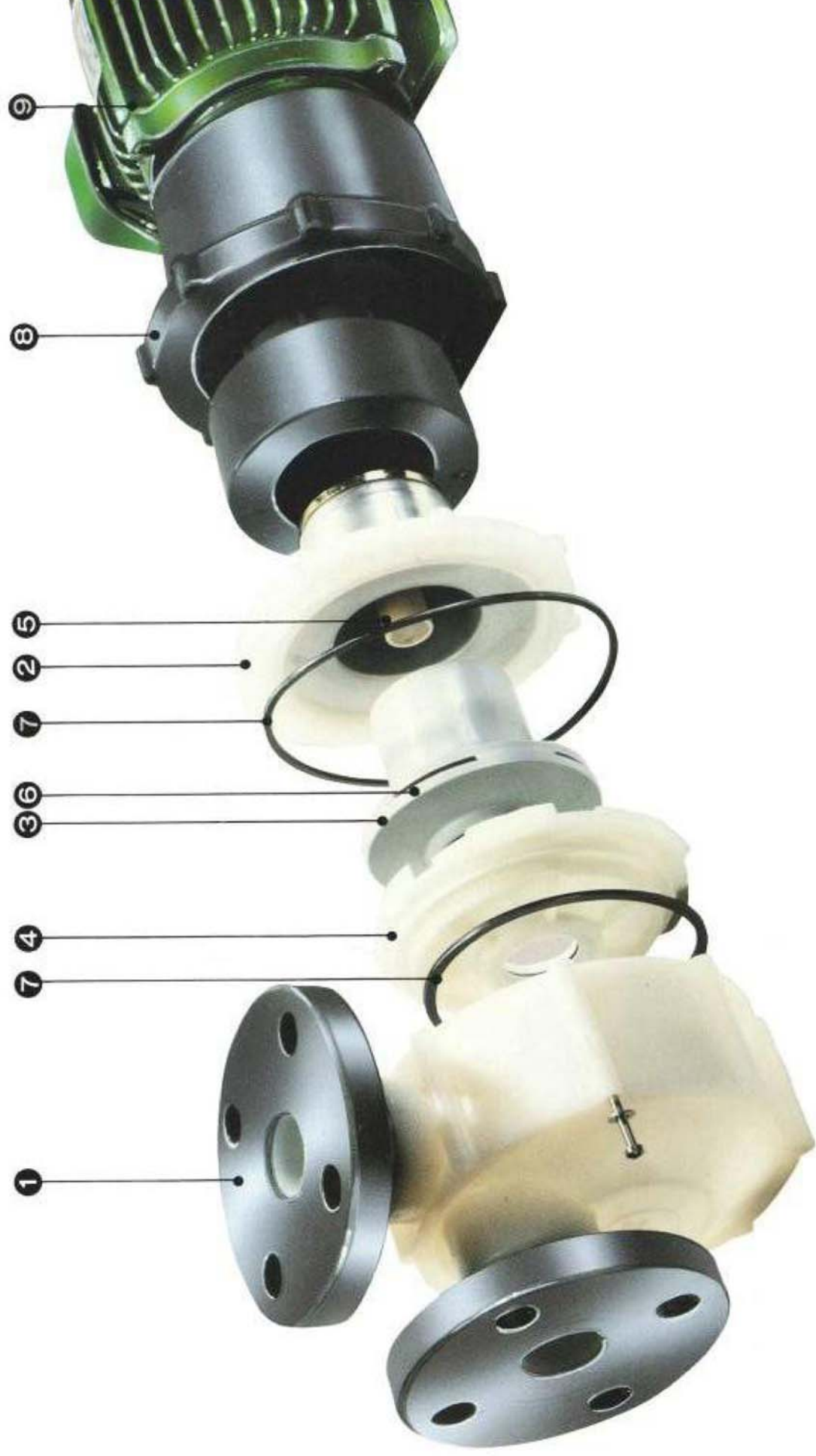
We reserve change design right and could not inform you additionally.

MT型尺寸圖 (DIMENSION OF MT TYPE)



型式 MODEL	馬力 H.P.	口徑 DIA.	A	B	C	D	E	F	G	H	I	J	K	L	M
MT-180	0.18KW	25×25Ø	107	92	135	83	80	100	107	120	100	112	80	406	255
MT-250	0.25KW	25×25Ø	107	92	135	83	80	100	107	120	100	112	80	406	255
MT-400	0.4KW	40×40Ø	135	125	168	112	100	130	135	155	125	134	90	509	337
MT-1100	0.75KW	40×40Ø	135	125	168	112	100	130	135	155	125	134	90	509	337
MT-1400	1.1KW	40×40Ø	135	125	168	112	100	130	135	155	125	134	90	509	337
MT-2200	1.5KW	50×40Ø	138	125	190	112	125	150	145	170	140	147	100	559	343

100%有自吸能力的無軸封自吸幫浦 (SEALLESS PUMPS WITH 100% SELF PRIMING POWER)



無軸封化學幫浦專業銷售

SELL SEALLESS CHEMICAL PUMPS SPECIALLY



為了能迅速選擇適用型式，在詢價自吸式幫浦時請提下列條件
Please provide the following conditions, when you inquiry.
It is prompt and convenient for us to choose suitable model.

-
- | | |
|--------------------------------------|---|
| 1. 使用液體 ... 液名/濃度/比重/黏度 | 1. Liquid ... name/concentration/sp. gr./viscosity |
| 2. 使用溫度 ... °C | 2. Temperature ... °C |
| 3. 自吸高度 ... 入口自吸條件 米 | 3. Capacity ... L/MIN. or M3/H |
| 4. 空運轉 ... 發生空轉機率，時間長短 | 4. Head ... head of inlet / outlet |
| 5. 流量 ... 公升/分 | 5. Solid ... partiale/percentage/max. dia. |
| 6. 揚程 ... 吐出揚程條件米/kg/cm ² | 6. Length of pump ... the heightest level in tank/range
of liquid level/liquid level of every
driving |
| 7. 顆粒 ... 有無含顆粒/比率/粒徑 | |
| 8. 馬達 ... 型式/電壓/週波數
屋內/屋外/有無防爆 | 7. Motor ... model/voltage/cycle/outdoor or indoor type/
explosion-proof requested |