

Automatic stripper filter TFM-100

FOR P.C.B RESIST FILM STRIPPER



TI TOWN CHEMICAL PUMPS

TFM Specification

TFM	—	100	A	32
(1)		(2)	(3)	(4)

1. TFM : Automatic stripper filter made by stainless steel.
2. Connect flange : 100A (4") JIS 10kg/cm²
3. Strainer accuracy :
A =Ø0.3mm punching sheet
B =Ø0.7mm punching sheet
C = Custom made slot sieve (available 0.02~0.3mm)
4. Motor Voltages Specific :
11 = 1Ø 110V 、 32 = 3Ø 220V 、 34 = 3Ø 440V
12 = 1Ø 220V 、 33 = 3Ø 380V 、 T = special SPEC.

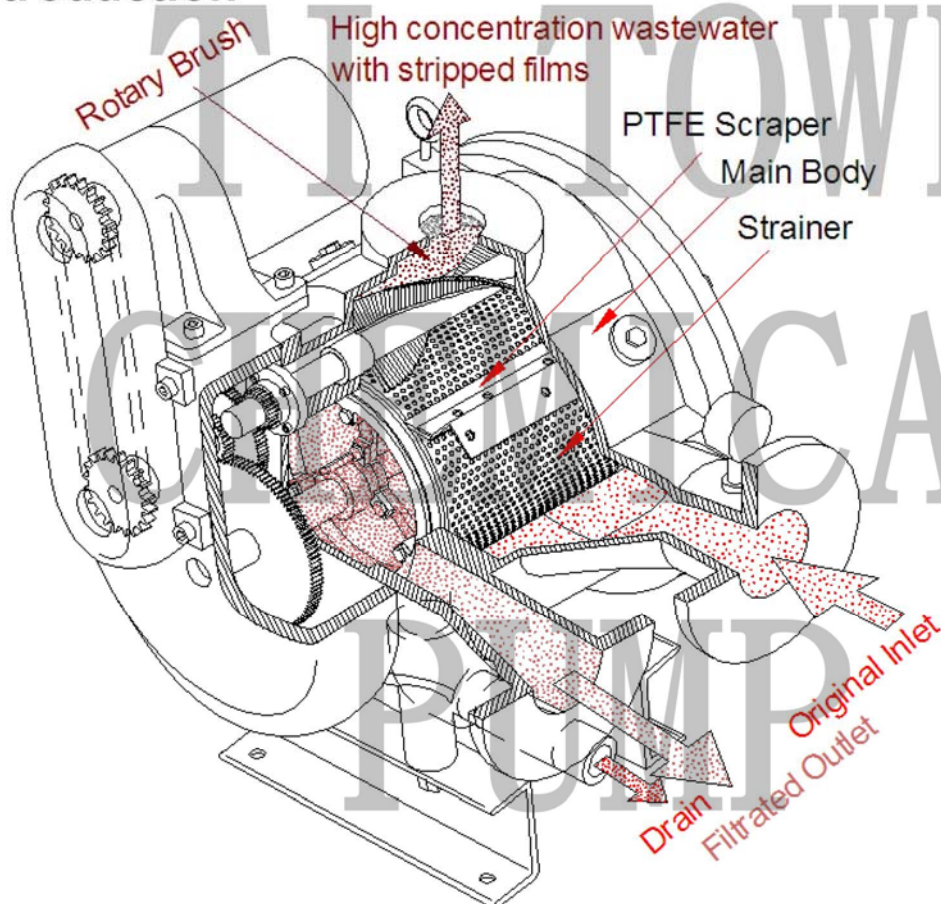
General specific :

- Operating pressure : 5kg/cm² (MAX)
- Max capacity : 1500LPM
- Consumption power : 100W gear motor
- Weight : 140kg

Features

- All wet-end parts are SCS13 or SUS304
- Special design with shaft seal to protect rotary parts and bearings in good conditions even leakage occurs
- Automatic carry stripper away without air purge
- All revolving parts are hidden for safety

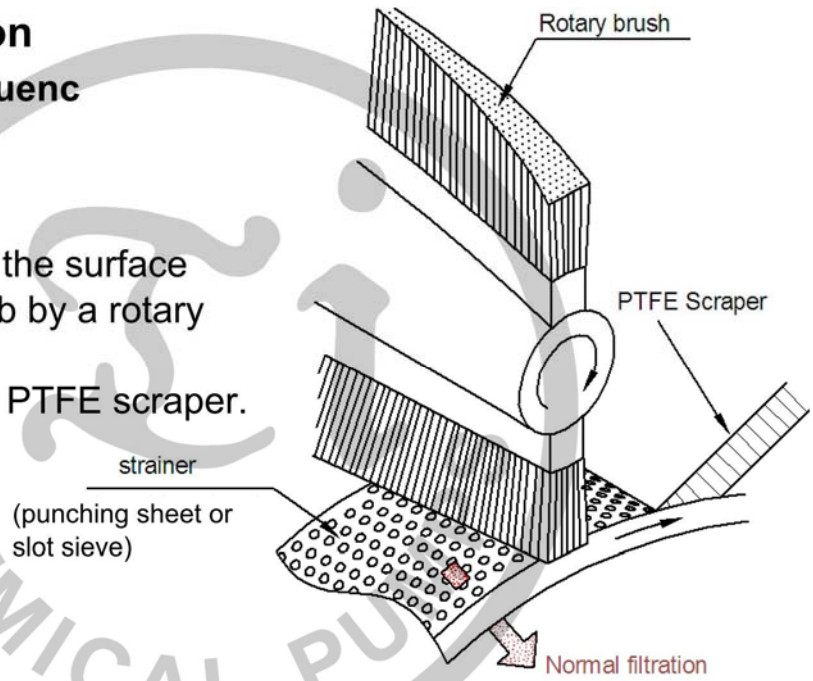
Introduction



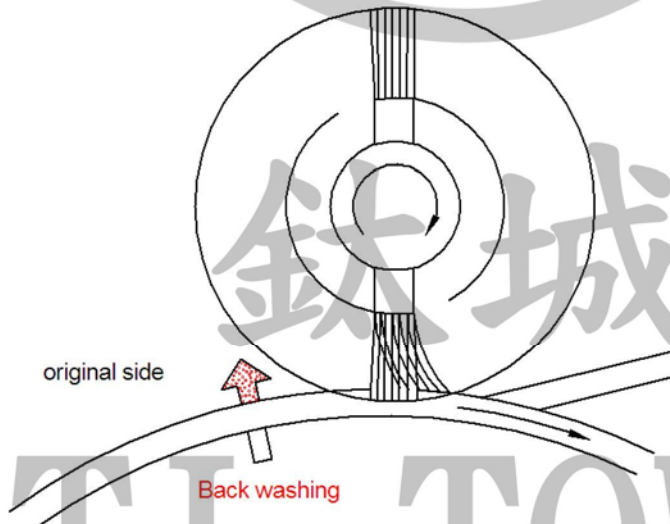
Multi washing function

Normal filtration sequence

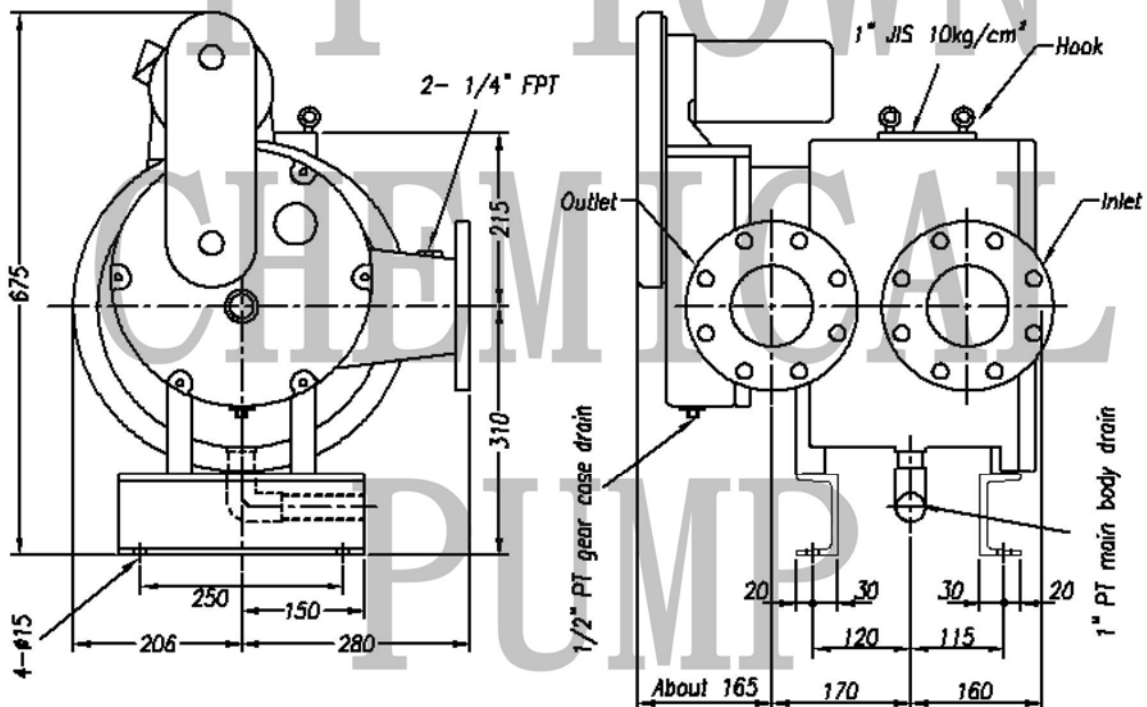
1. Forced washing on the surface of strainer and scrub by a rotary brush.
2. Rooted out films by PTFE scraper.



Back washing sequence



Dimensions





TI TOWN TECHNOLOGY CO., LTD.

NO.332 Sec. 2, Chung I Rd., Kwei Shan Hsiang, Taoyuan, Taiwan

TEL : +886-3-318-2825 , FAX : +886-3-318-2890

E-MAIL : titown.pump@msa.hinet.net pump@titown.net

Web site : www.titown.net